



Asynchronous Counter

Digital Electronics



Asynchronous Counter

This presentation will

- Define *asynchronous counters*.
- Define the terms *states* and *modulus*.
- Provide multiple examples of asynchronous counters designed with D & J/K flip-flops.
- Explain an asynchronous counter's ripple effect.
- Summarize the asynchronous counter design steps.



Asynchronous Counters

- Only the first flip-flop is clocked by an external clock. All subsequent flip-flops are clocked by the output of the preceding flip-flop.
- Asynchronous counters are slower than synchronous counters (discussed later) because of the delay in the transmission of the pulses from flip-flop to flip-flop.
- Asynchronous counters are also called ripple counters because of the way the clock pulses, or ripples, its way through the flip-flops.



States / Modulus / Flip-Flops

- The number of flip-flops determines the count limit or number of states:

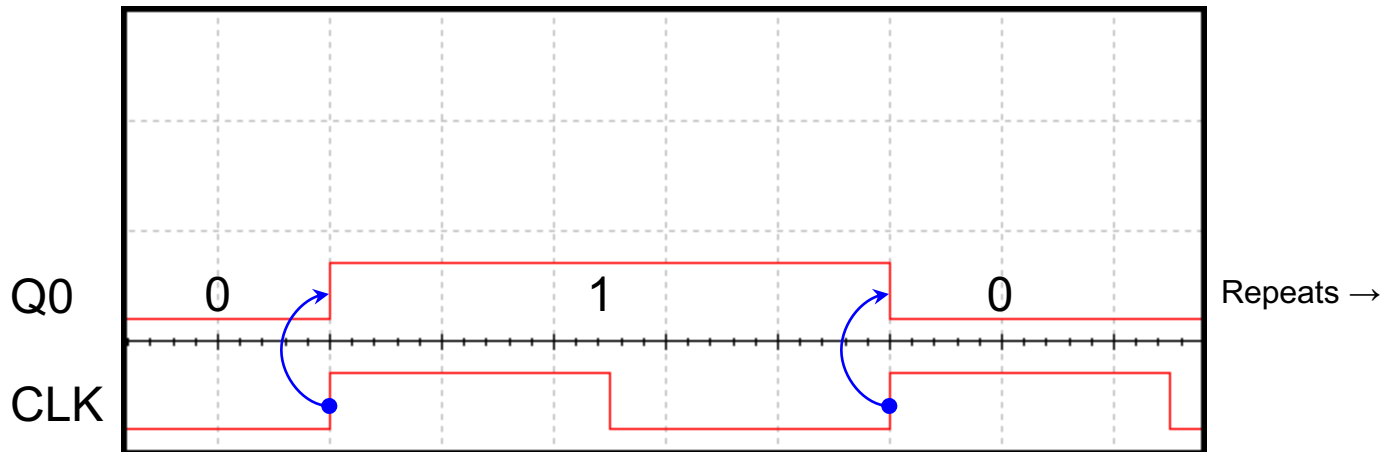
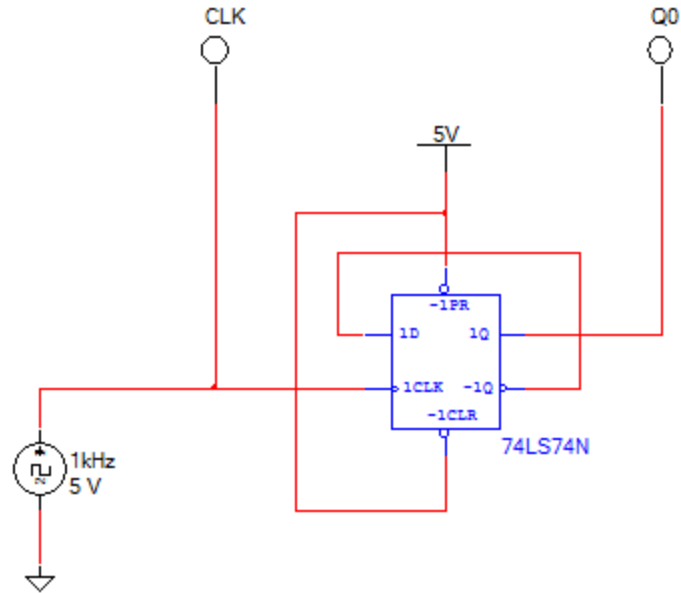
$$\text{States} = 2^{(\# \text{ of flip-flops})}$$

- The number of states used is called the MODULUS.
- For example, a Modulus-12 counter (Mod-12) would count from 0 (0000) to 11 (1011) and would require four flip-flops ($2^4 = 16$ states; 12 are used)



Asynchronous Counter

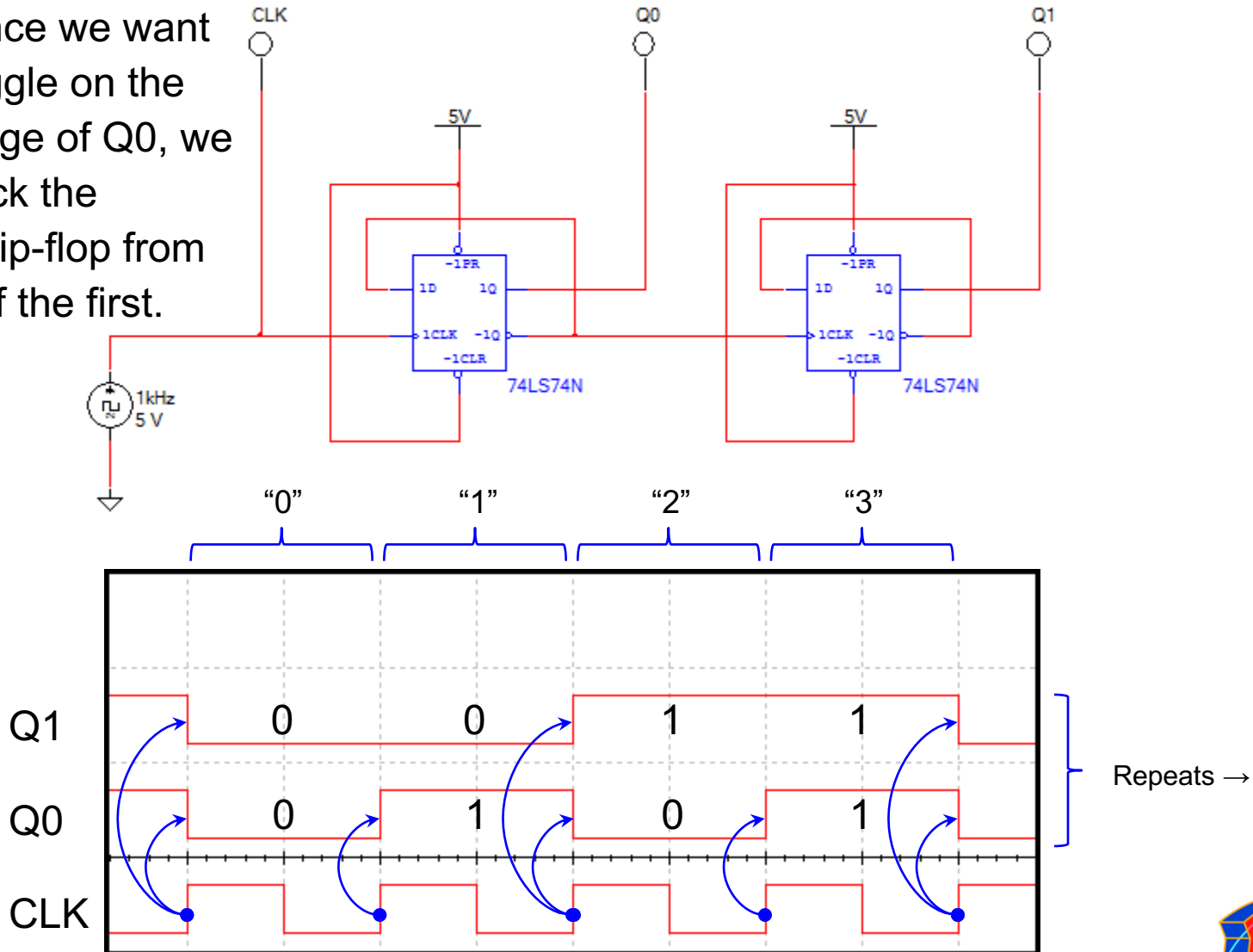
D-Flip Flop – 1 Bit



Asynchronous Counter

Up Counter – D-Flip Flops – 2 Bit

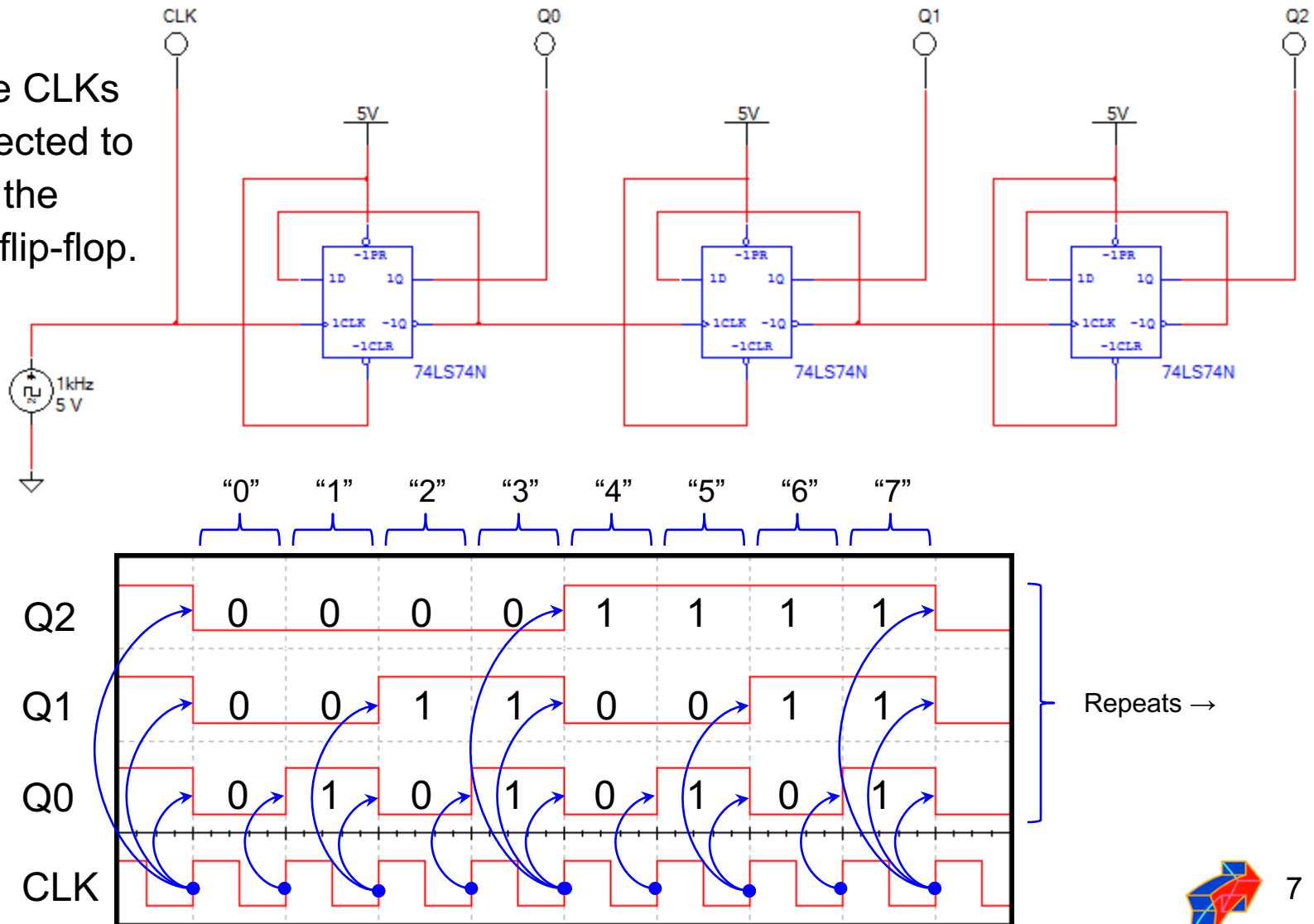
Note: Since we want Q1 to toggle on the falling edge of Q0, we must clock the second flip-flop from the Q0 of the first.



Asynchronous Counter

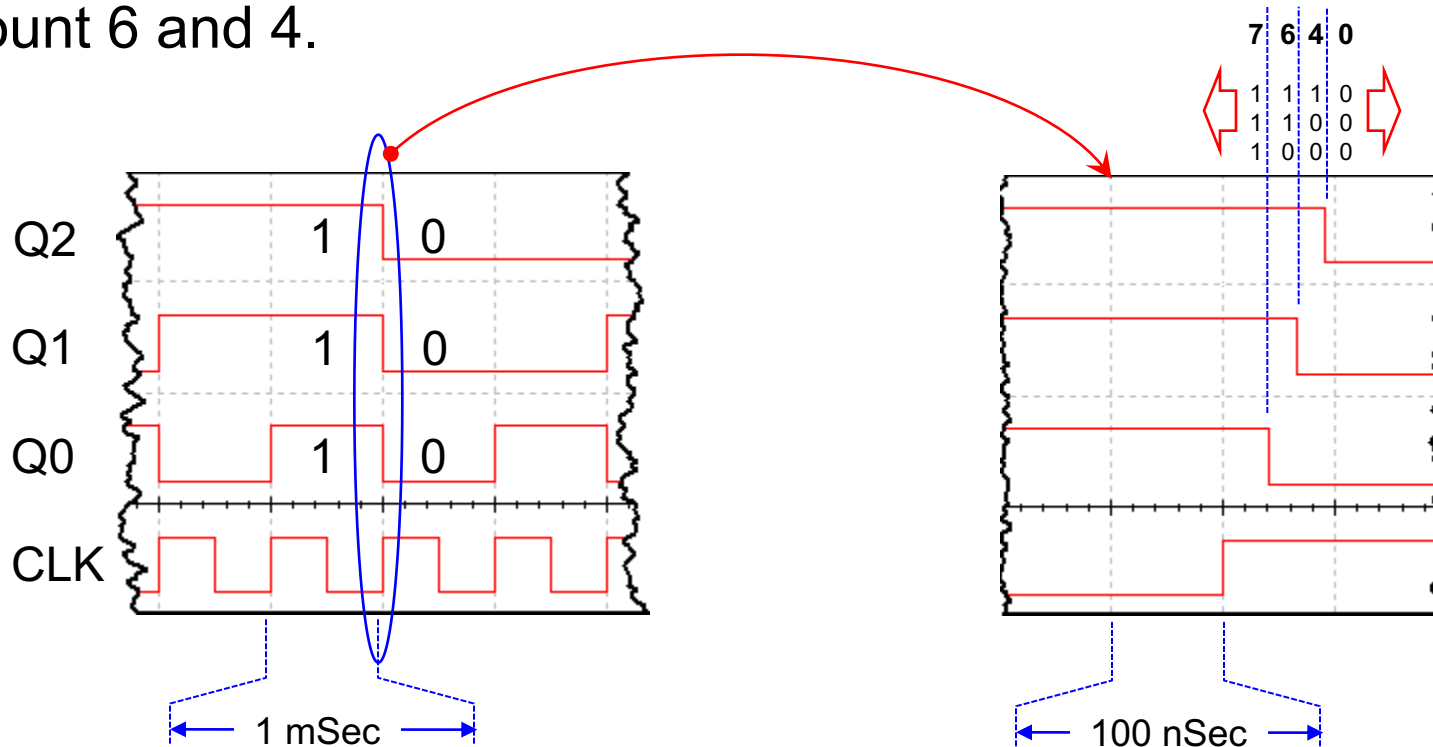
Up Counter – D-Flip Flops – 3 Bit

Note: The CLKs are connected to the \overline{Q} of the previous flip-flop.



The Ripple Effect

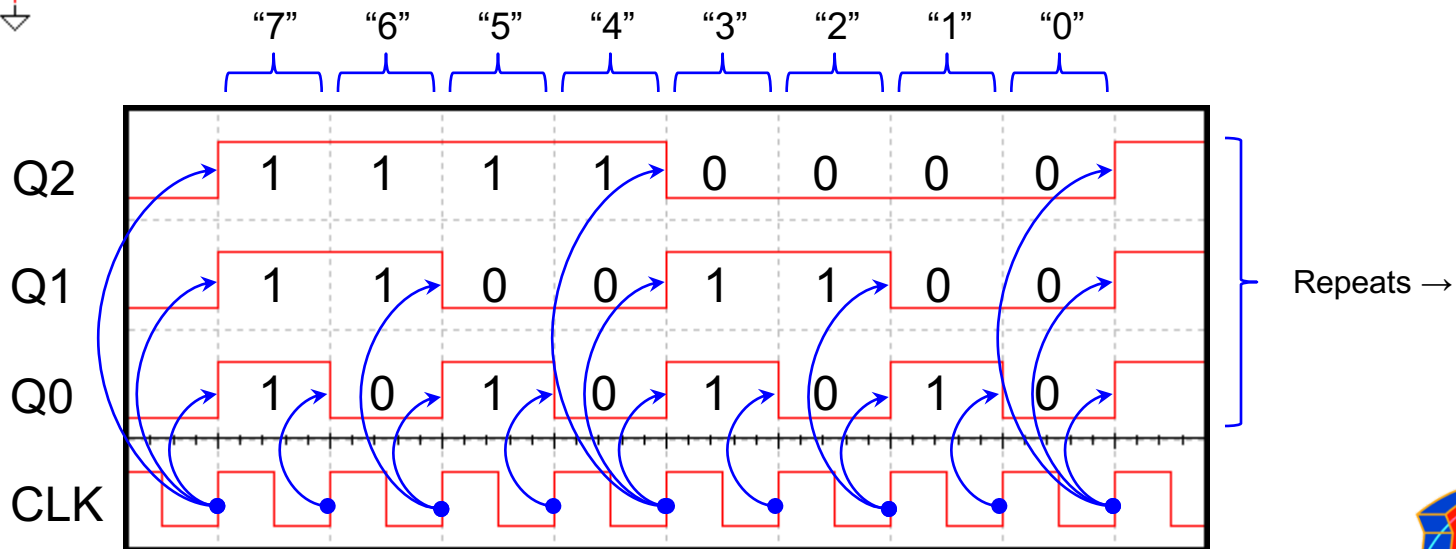
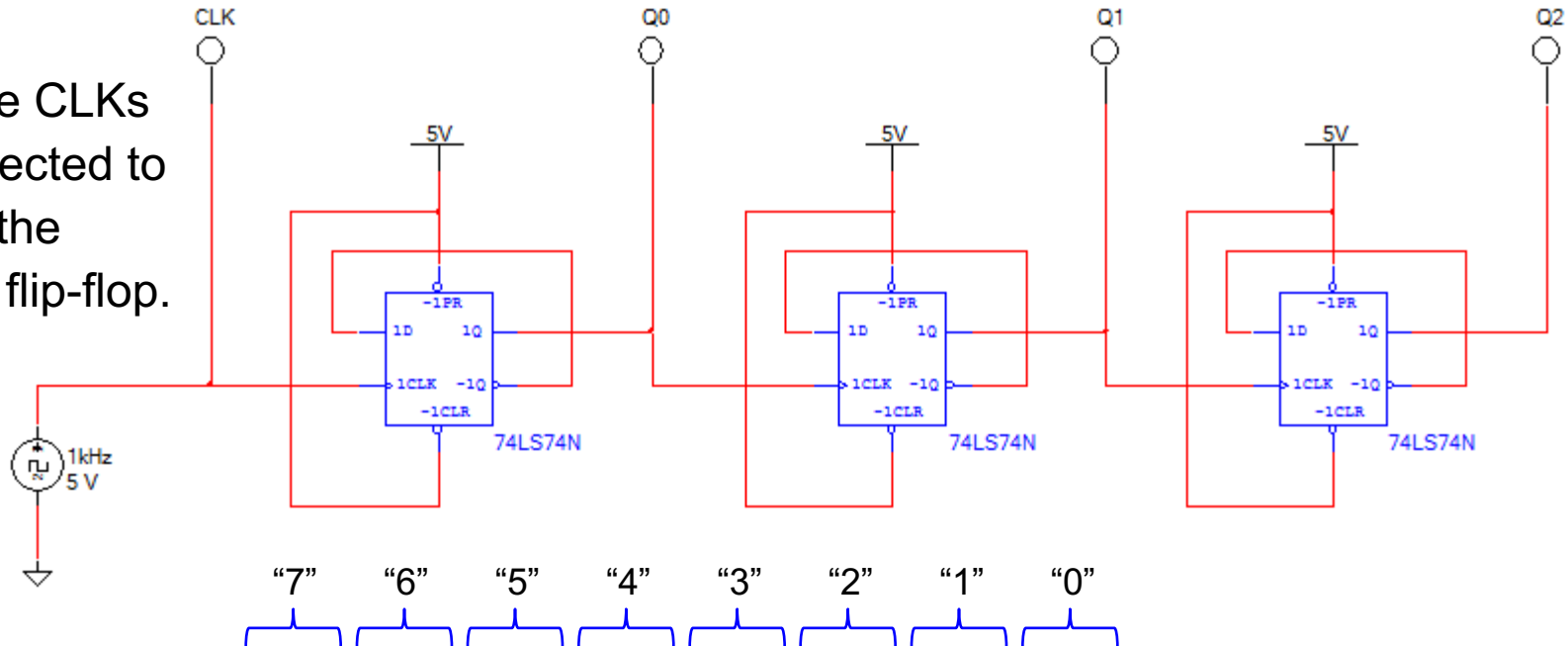
As the clock input “ripples” from the first flip-flop to the last, the propagation delays from the flip-flops accumulate. This causes the Q outputs to change at different times, resulting in the counter briefly producing incorrect counts. For example, as a 3 bit ripple counter counts from 7 to 0, it will briefly output the count 6 and 4.



Asynchronous Counter

Down Counter – D-Flip Flops – 3 Bit

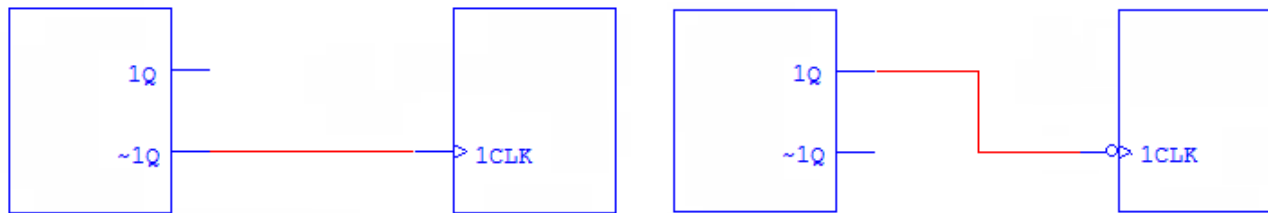
Note: The CLKs are connected to the Q of the previous flip-flop.



Asynchronous Counter Summary

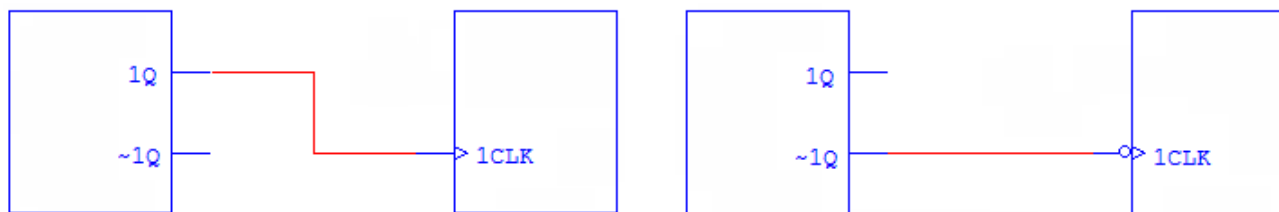
- Up Counters

- Connect the CLK input to the Q output with the opposite polarity



- Down Counters

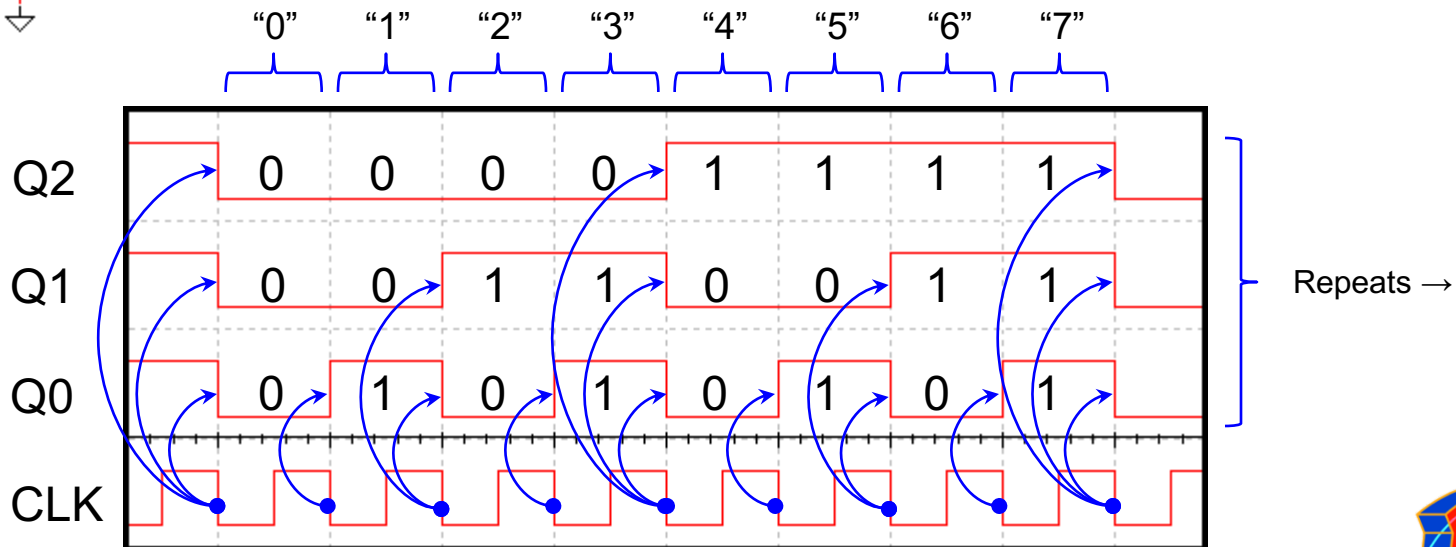
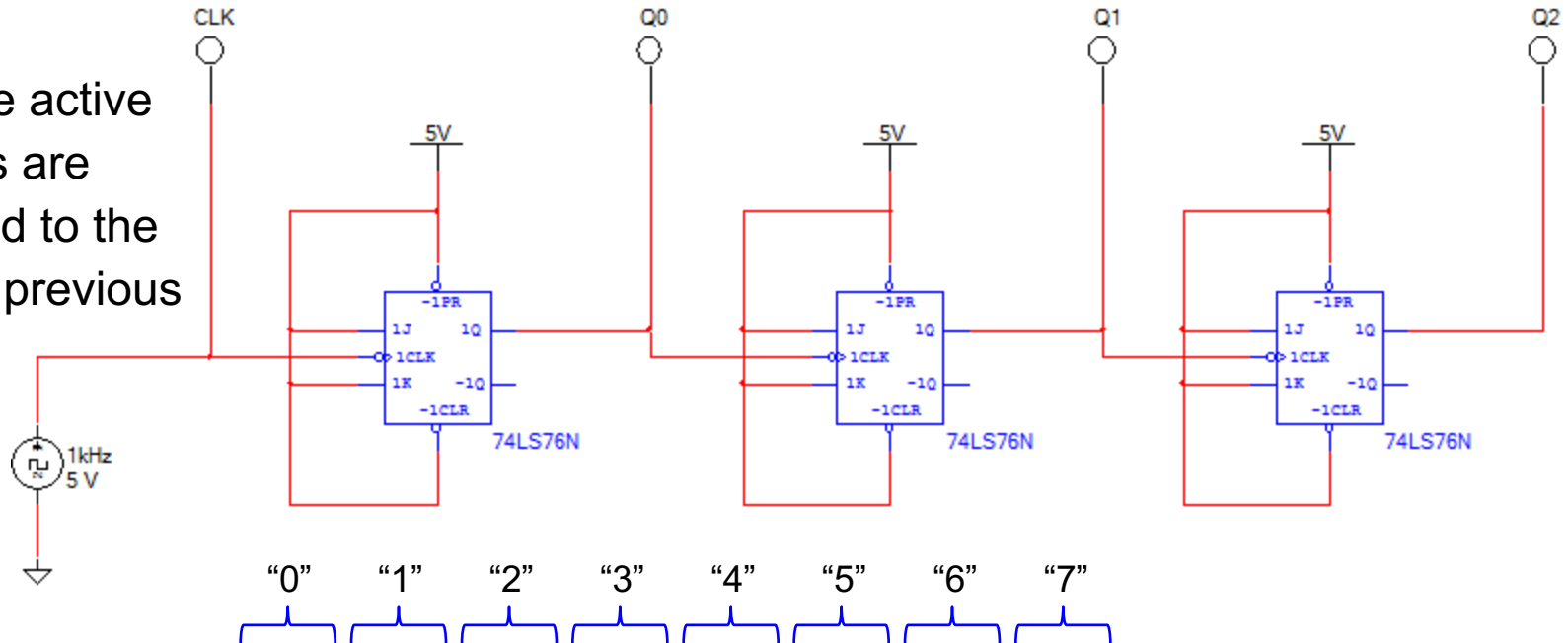
- Connect the CLK input to the Q output with the same polarity



Asynchronous Counter

Up Counter – JK-Flip Flops – 3 Bit

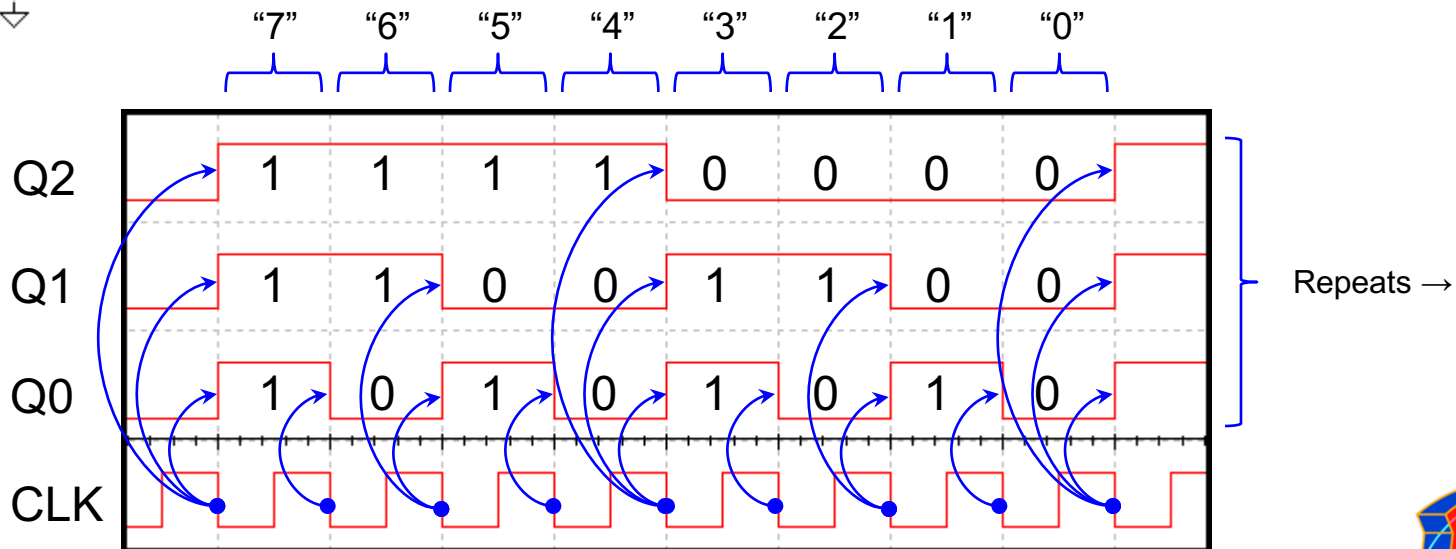
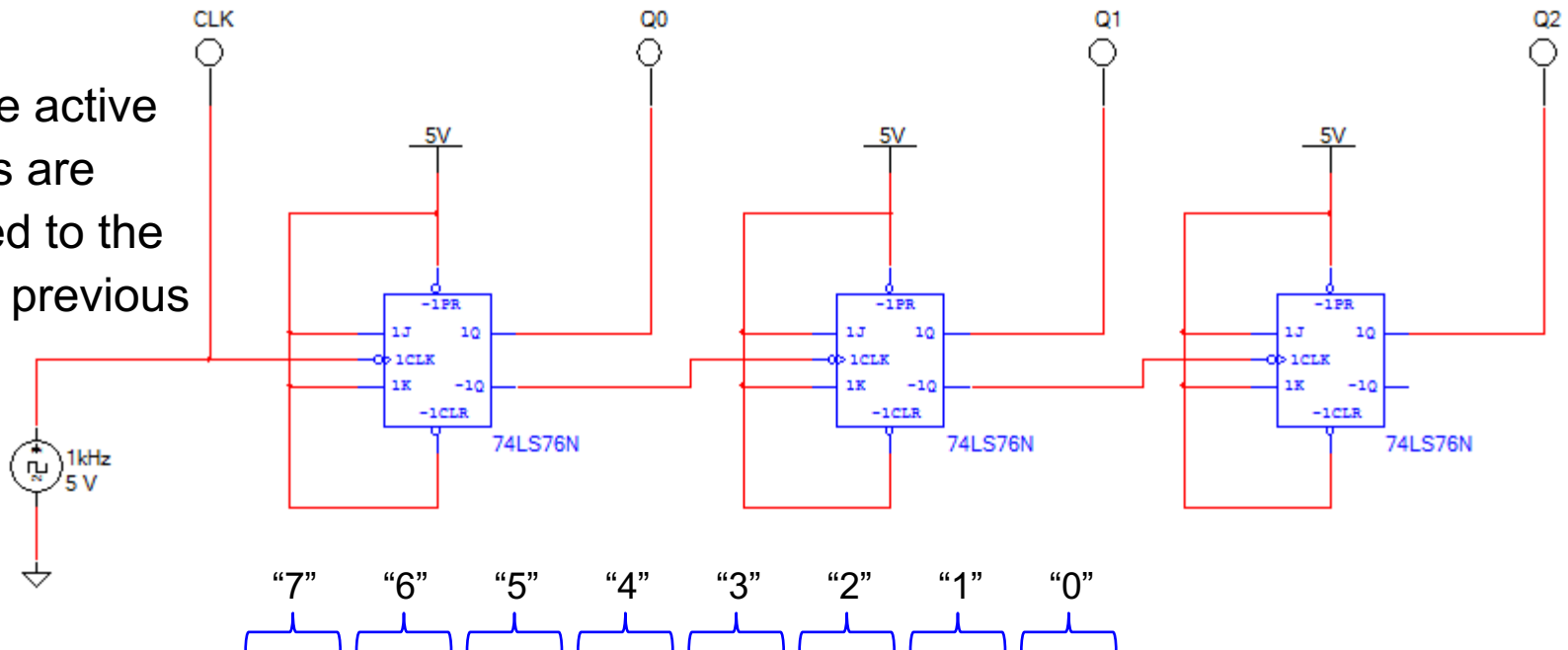
Note: The active low CLKs are connected to the Q of the previous flip-flop.



Asynchronous Counter

Down Counter – JK-Flip Flops – 3 Bit

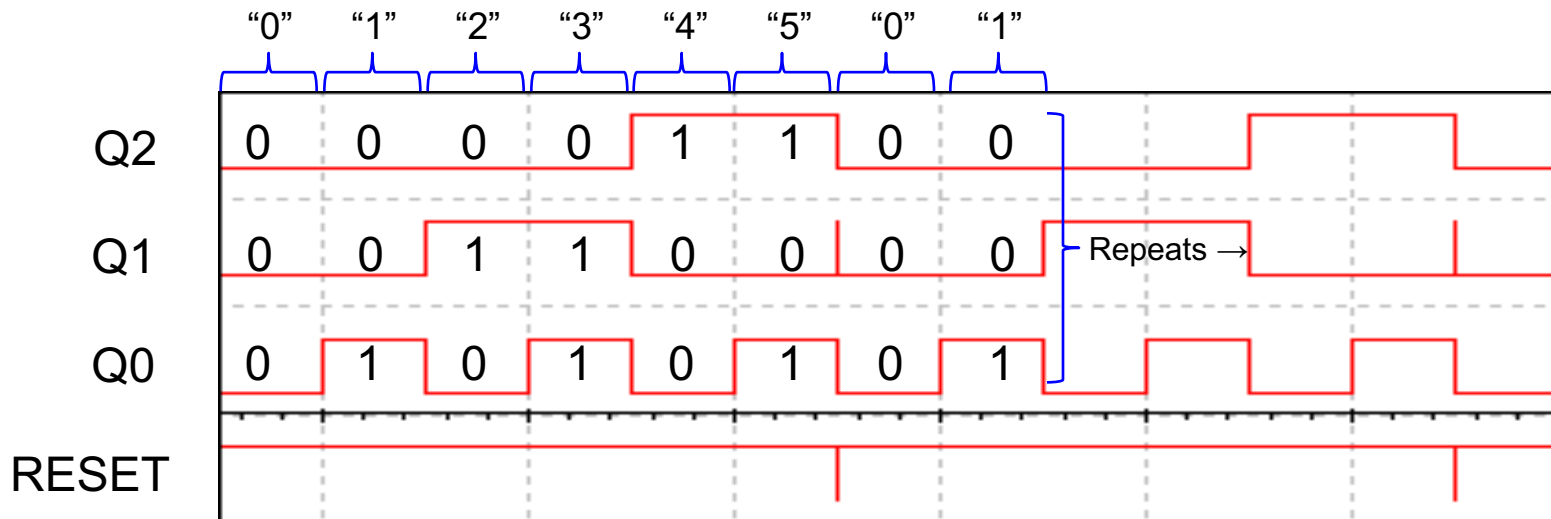
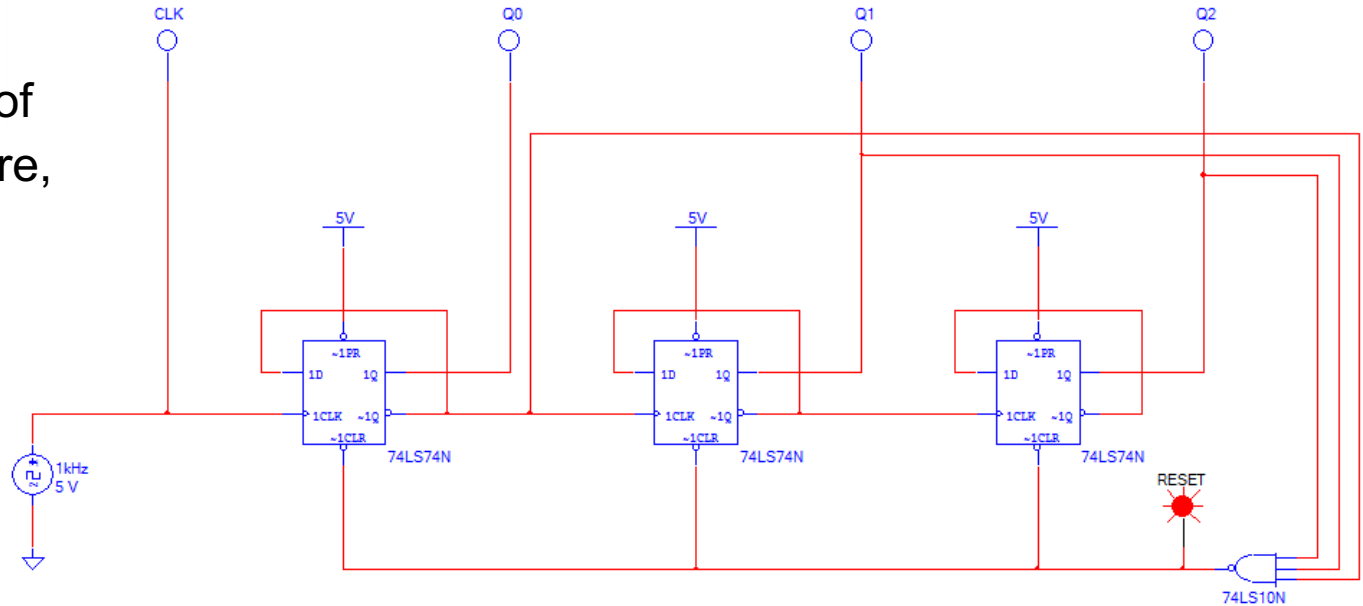
Note: The active low CLKs are connected to the \overline{Q} of the previous flip-flop.



Modulus Asynchronous Counter

Up Counter – D Flip Flops – 3 Bit / Mod-6 (0-5)

Note: The upper limit of the count is 5; therefore, the reset circuit must detect a 6 (count +1).



Asynchronous Counter Design Steps

1) Select Counter Type

- Up or Down
- Modules

2) Select Flip-Flop Type

- D (74LS74)
- J/K (74LS76)

3) Determine Number of Flip-Flops

- $2^{\# \text{ Flip-Flops}} \geq \text{Modules}$

4) Design Count Limit Logic

- Input to reset logic circuit is count limit plus one for up counters (minus one for down counters)